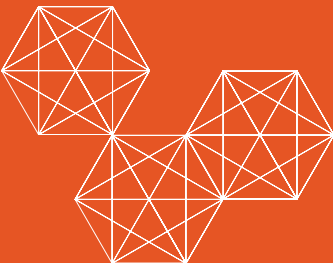




Installation & Operational Manual Legionator **iL3.5** | **iL6.0**



6. Operation Instruction

6.1 Overall Dimensions

The dimension of the water heater is as shown in Fig. 8, the unit of measurement is in millimeters (inch values are in bracket).

The User interface presents the MULTIFUNCTION button is as shown in Fig. 9

Figure 8

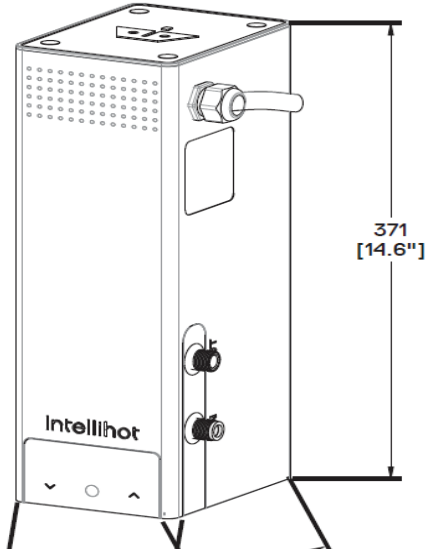
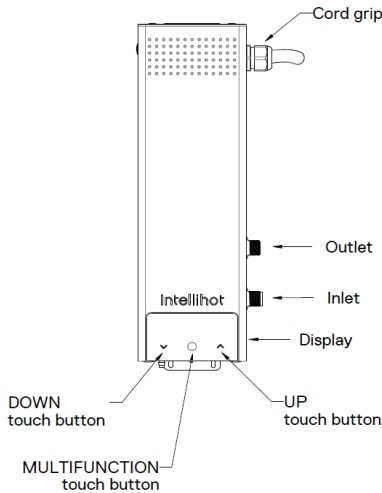
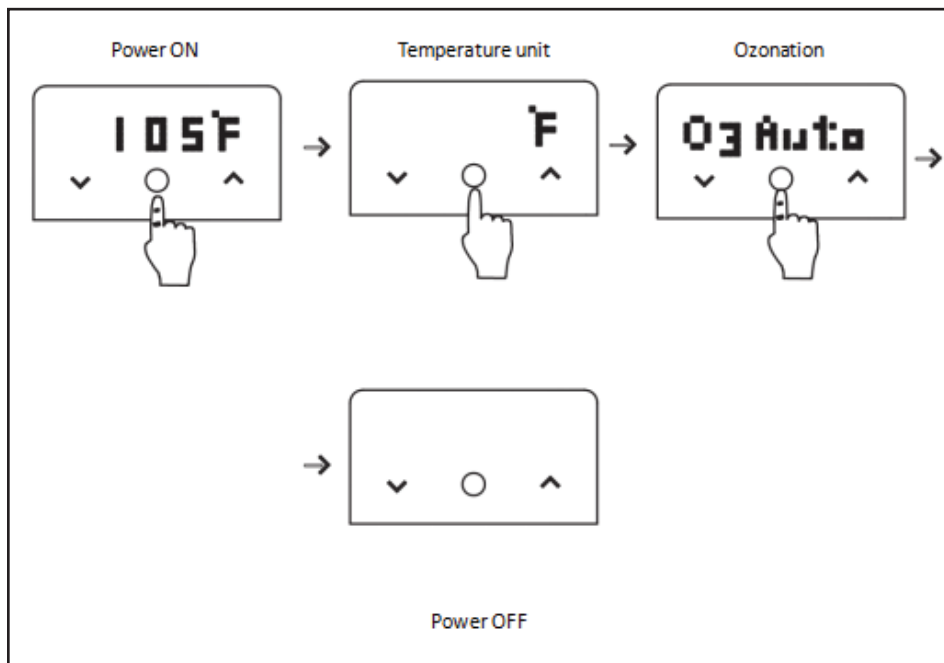


Figure 9



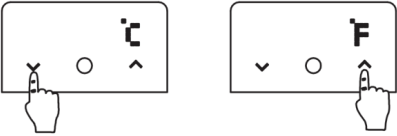
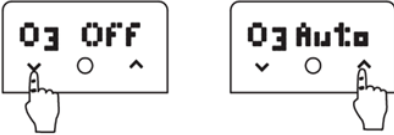

6.2 Interface



6.3 Operation

For the convenience of consumers, the water heater adopts ONE-BUTTON OPERATION, which consists of 6 steps by the way of moving up or down.

Your water heater is ready to use when the electricity and water connections are turned ON and the water heater enters Standby mode. There won't be any displays right now.

	<p>Press MULTIFUNCTION button again, you can choose the temperature mode</p> <p>At this time, you can choose temperature unit by pressing UP / DOWN button.</p> <p>UP: temperature display in degree Fahrenheit (°F)</p> <p>DOWN: temperature display in degree Celsius (°C)</p>
	<p>Press MULTIFUNCTION button again, you can choose working of ozonation</p> <p>At this time, you can choose working or not working of ozone generator by pressing UP / DOWN button.</p> <p>UP: automatic working of ozone generator (O3 Auto)</p> <p>DOWN: Turns off ozone generator (O3 Off)</p>
	<p>Press MULTIFUNCTION button and hold for 5 -10 seconds, the appliance will cut off automatically, and there will be no displays</p>

6.4 Auto Memory

When the water heater restarts after an intermittent shut OFF due to power failure, the automatic memory function in the water heater will re-set the water heater to its previous (most recent) operational mode or user settings.

6.5 Auto Resume

When there is a power outage and/or water supply outage, the water heater will shut OFF automatically for safety and protection of the water heater. When the power supply and/or water supply resumes, the water heater will automatically re-start on its own. There is no need to press the MULTIFUNCTION button to restart the water heater.

6.6 Auto Sleeping

After a total of 45-minutes continuously running and heating the water, the auto sleep function will cause the water heater to shut down automatically for safety reasons. In these conditions, the user can press the MULTIFUNCTION button to restart the water heater.

6.7 Temperature Setting

Make sure all the connections and fittings of the water heater are secured. Purge all the air from the water heater before switching the ON button.

The flow of water activates the flow sensor to send signals to the digital microprocessor in the water heater that controls the heating element to heat the water.

Use the temperature settings to increase or decrease the water temperature and/or water flow rate in your water heater (by using the field supplied manual shut-off valves as per Figure 5).

Press UP or DOWN on the mode buttons to set your required water temperature.

When the water flow rate reaches the maximum heating capacity of the water heater, a maximum temperature will be achieved based on the water flow rate and the rated power of the heater. When the excessive water flow rate is gradually reduced the water heater will achieve the Set-Point (SP) temperature.

When the water flow rate is cut-off, the flow sensor sends the signals to the digital microprocessor to turn OFF the heating element, during this time, the water heater will be on Standby mode until the flow sensors sends back signals to the digital microprocessor to turn ON the heating element in order to continue the flow of hot water, as needed by the user.

6.8 Ozonation

The ozonator feature in the water heater generates controlled ozone (O₃) that kills bacteria present in the water lines. This special feature is proven to safeguard our water heater users' health, especially to those vulnerable to water borne diseases.

This water heater has options for the user to choose between AUTOMATIC and OFF ozonier operation. The water heater will be set to AUTOMATIC operation mode that activates ozonation on pre-designed intervals. This would provide sufficient sterilization and disinfection that is required to kills the bacteria present in the water lines.

Press the MULTIFUNCTION button to switch to the OFF operation mode. Press the UP button to turn ON (AUTO) and DOWN button to turn OFF the ozonation process.

Ozone concentration is strictly controlled to a safe level that complies with US Health and Human Safety guidelines.

The unique odor of ozone emitted from the water shall confirm that the water heater is disinfected. During ozonation, make sure to have enough air ventilation around the water heater. Frequent ozonation of the water heater is not recommended.

6.9 Anti-Freezing

Do not install the water heater at ambient room temperature below freezing. Install the water heater at a location at room temperature.

Always make sure to check the water temperature before turning ON the water heater power. If the water inside the water heater turns into ice, you must wait until the ice is melted. Use of water heater when the water is frozen may cause damage to internal components of the water heater and shall void the warranty conditions.

7. Maintenance

7.1 Pre-Filtration

It is recommended to use the inlet pre-filter to extend the service life of your water heater. Make sure to check and clean the filter every 3 months.

7.2 After-Use Safety

Turn off the outlet flow after use of the water heater.

Make sure to turn off the main power switch and water supply if the water heater is unattended.

We recommend to clean the Faucet spray head every 3 months for optimum performance.

7.3 Maintenance

This water heater does not require any major maintenance.