

4. Installation Guide

4.1 General Guidance

1. Electrical water heater should be installed by a qualified personnel and in accordance with the national electrical codes, local electrical and plumbing codes and regulations.
2. Make sure that the wire, fuse, circuit breaker, and watt-hour meter are applicable to your water heater before installation. Please refer to Technical Specification (3.1) in this manual.
3. Install the water heater in the vertical position as shown in the figure in this manual. Do not install upside down or horizontally.
4. Make sure the electrical connections in the water heater are properly grounded.

4.2 Before Installation

1. Install the water heater on a smooth surface or platform.
2. Make sure to install the water heater away from strong vibrations.
3. This water heater must be installed in an indoor environment only. An outdoor installation is permitted if it is mounted in a suitable enclosure that protects it from all-weather elements. Extreme cold weather that causes the water in the water heater to freeze may result in permanent damage and will void the warranty of the water heater.

4.3 Wall Mounting

1. Place the wall-mount in a proper position and use a pencil to mark the holes as shown in figure 1.
2. Use an appropriate tool to drill the holes on the exact marked position as shown in Figure 2.
3. Install and fasten the holes with appropriate plastic inserts as shown in Figure 3.
4. Place the water heater on the mounting brackets and fix the wall-mounting with appropriate screws as shown in in Figure 3.

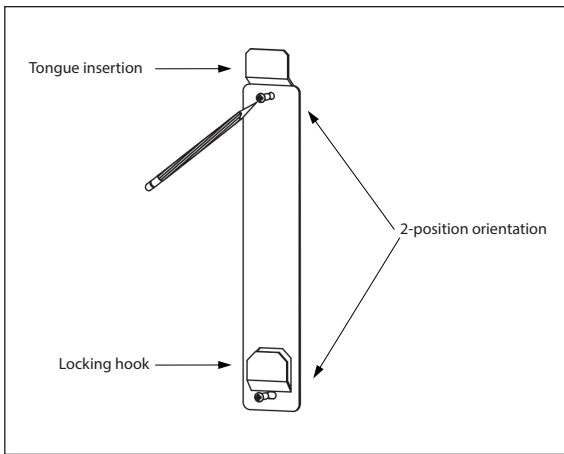


Figure 1

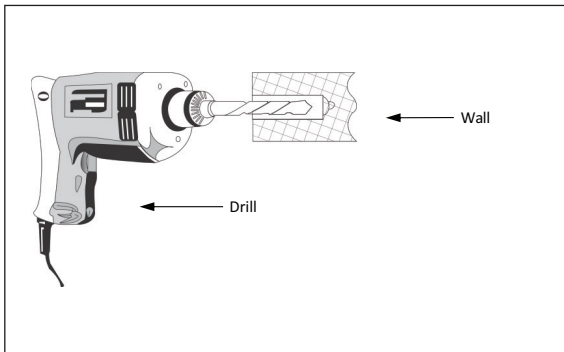


Figure 2

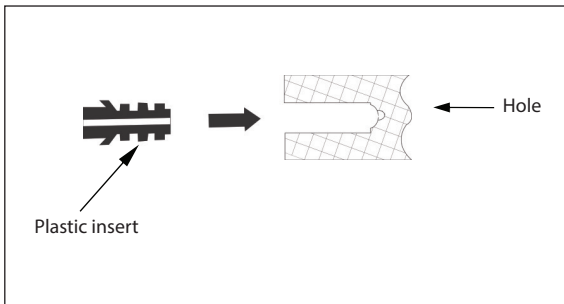


Figure 3

4.4 Seismic Bracing (Optional)

1. An additional bracket is provided for seismic bracing as shown in Figure 4.
2. This part is OPTIONAL to install.
3. Seismic bracing is recommended for safe installation if the water heater is being operated in an earthquake-prone area.

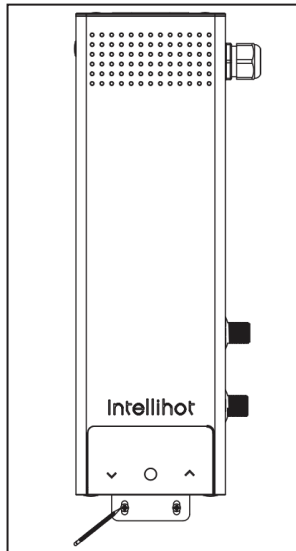


Figure 4

4.5 Plumbing

CAUTION

If you are replacing an existing water heater, replace the old hose sets with the new hose sets.

WARNING

There is no internal pressure protection devices built in. Please make sure that there is an external protection is added to keep the water pressure within 30 - 150 PSI (0.2 - 1.0MPa).

1. Use cold water to flush any debris present in the water line of the water heater before use.
2. Install a manual shut off valve (not supplied with the water heater) and pre-filter to prevent the entry of any particles that may clog or damage the internal parts of the water heater. Manual shut off valve is required on both the water inlet and on the water outlet as shown in figure 5.

3. The water inlet and the water outlet shall be identified according to the indications or marks on the water heater. If colors are used to indicate then water inlet and water outlet, blue color should be used for the water inlet and red color for the water outlet.
4. The water heater may not function if the water inlet and the water outlet are not fitted properly as shown in Figure 5.
5. Do not use plumbing cement on water connections. If necessary, use only thread compound or pipe thread sealant or sealing tape as required.
6. Do not solder any external fittings to the water heater. This will damage internal sensors or components and void the warranty.
7. A Temperature-Pressure Relief (TPR) installation is not mandatory to your water heater, please refer to your local jurisdiction or local body to confirm the requirement for TPR installation on the water heater at your location.
8. Connect the water hose to the outflow pipe of the water heater and connect the faucet sink to the water hose as shown in Figure No 5.
9. Use the pre-filters provided by the Intellihot only, prevent any blockages in the water pipelines.
10. Make sure all the water heater fittings are secured properly and make sure there are no loose fittings of any parts of the water heater.
11. The Specification of pipes is G (BSPP) 3/8 inches.

Figure 5

