

telliBot Submittal Data

Date:	<input type="text"/>	Bid Date:	<input type="text"/>
Project Name:	<input type="text"/>		
Project #:	<input type="text"/>	Model Selection:	<input type="checkbox"/> iB301 <input type="checkbox"/> iB3001
City State Zip:	<input type="text"/> <input type="text"/> <input type="text"/>		
Engineer:	<input type="text"/>		
Contractor:	<input type="text"/>		



iB301



iB3001

KEY FEATURES

- Monitor water temperatures - Utilizing a clip-on probe, monitor the boiler or water heater supply/return temperatures.
- Prevent leak damages - A built-in leak sensor notifies of any water leaks in the boiler room or condensate back-ups. If the optional water valve kit is installed, telliBot can shut off the water and turn off the boiler or water heater.
- Gas and Carbon monoxide safety - A carbon monoxide and flue-gas sensor notifies of any leaks. If the optional gas valve kit is installed, telliBot can shut off the gas.
- Monitor hot water demand and draw profile if the optional flow sensor kit is installed.
- Neutralize acidic condensate from any gas-fired appliance.
- Mobile app - telliBot comes with a mobile app that sends automated notifications.
- Prevent corrosion damage - telliBot monitors the neutralizer media usage and sends a notification through an app when it is time to replace it. No more guessing when to reload the media and risk corrosion damage.
- Option factory monitoring service - if subscribed to telliBot service, factory to ship the media before it is used up.

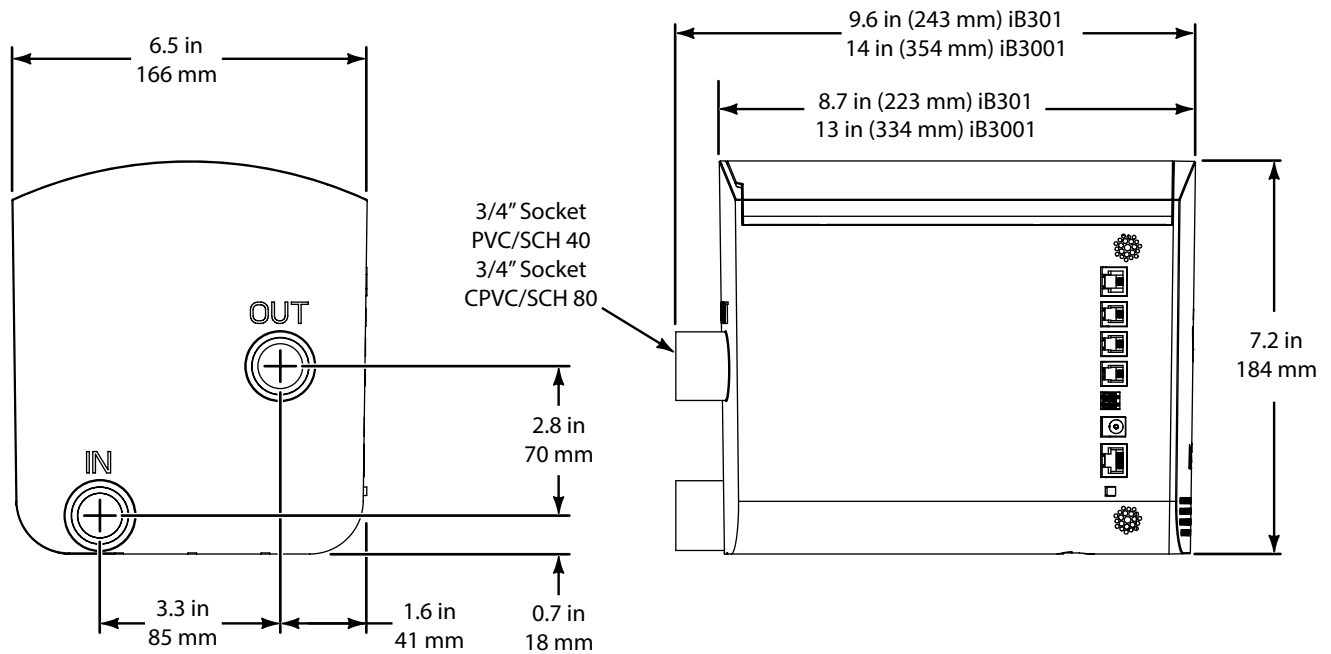
PREDICTIVE ANALYTICAL SERVICE

- Monitor the supply/return temperatures of any water heater or boiler, and send alerts for abnormal temperatures.
- Water Leakage & Condensate Backup - Send alerts for any leaks that might occur.
- Carbon Monoxide (CO) and Fuel-gas leakage - Send alerts for any leaks that might occur.
- Condensate Neutralizer Media - Monitor the media usage and ships out new media before it is fully consumed.
- Remote ON/OFF capabilities - if gas or water leaks occur, can turn off water heater or boiler with a remote interlock.
- Audio & Visual Alerts on the unit and via the app.



Intellihot

telliBot Dimensional Specifications



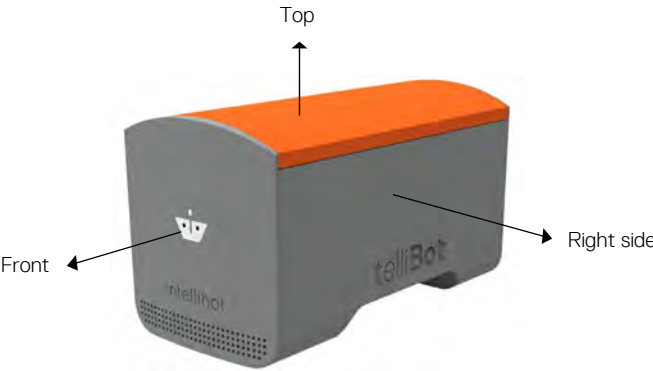
telliBot Specifications

PARAMETERS	MODEL	
	iB301	iB3001
Maximum rated (BTU/hr)	Up to 300,000 BTU/hr	Up to 3,000,000 BTU/hr
Gallons per Hour (GPH) max.	2.5	25
Dimensions H x W x D (Inches)	7.2" x 6.5" x 9.6"	7.2" x 6.5" x 14"
Weight (LBS)	3.5 LBS	4.5 LBS
Weight of Media Bag (LBS)	2 LBS	3 LBS
Electrical Voltage	120V AC, 60 Hz	
Electrical Power Consumption	75W (Max)	
Boiler Interlock Contacts	100 mA, 60 Volts AC/DC	
Safety Alarms	Carbon Monoxide Alarm, Natural Gas Leak Alarm, Water Leak Alarm, pH Alarm	
Wi-Fi Enabled	802.11 b/g	
Notifications	Email, SMS, App	
Add-On, Accessory Kits	Water Valve Kit, Gas Valve Kit, Flow Sensor Kit	
Warranty	1 year	



Intellihot

telliBot Clearance Requirements



Location	Service Clearance
Front	12"
Back	6"
Right side	0"
Left Side (Electrical connection)	6"
Top	12"
Bottom	0"

telliBot Electrical Data

Electrical power required for the telliBot is 120V AC, 60 Hz (75W Max). Please ensure correct polarity of outlet before plugging in unit.