

Date: _____ Bid Date: _____

Project Name: _____

Project #: _____

City/St/ZIP: _____

Engineer: _____ Fuel Type: Natural Gas Propane

Contractor: _____ Factory Option: iNTouch-BMS

Key Features

- **Multiple Stainless** (316L) heat exchanger
- **Flexible-Floating** Design, stress relieving and thermal shock capable.
- **Built in Redundancy**- Multiple heat engines with individual control.
- **Multi-Unit**- masterless cascading with common venting
- **Gas Pressures**- Operates on gas pressures range of 2.5"-14" w.c.
- **ASME-HLW compliant**
- **Designed and Built** in the U.S.

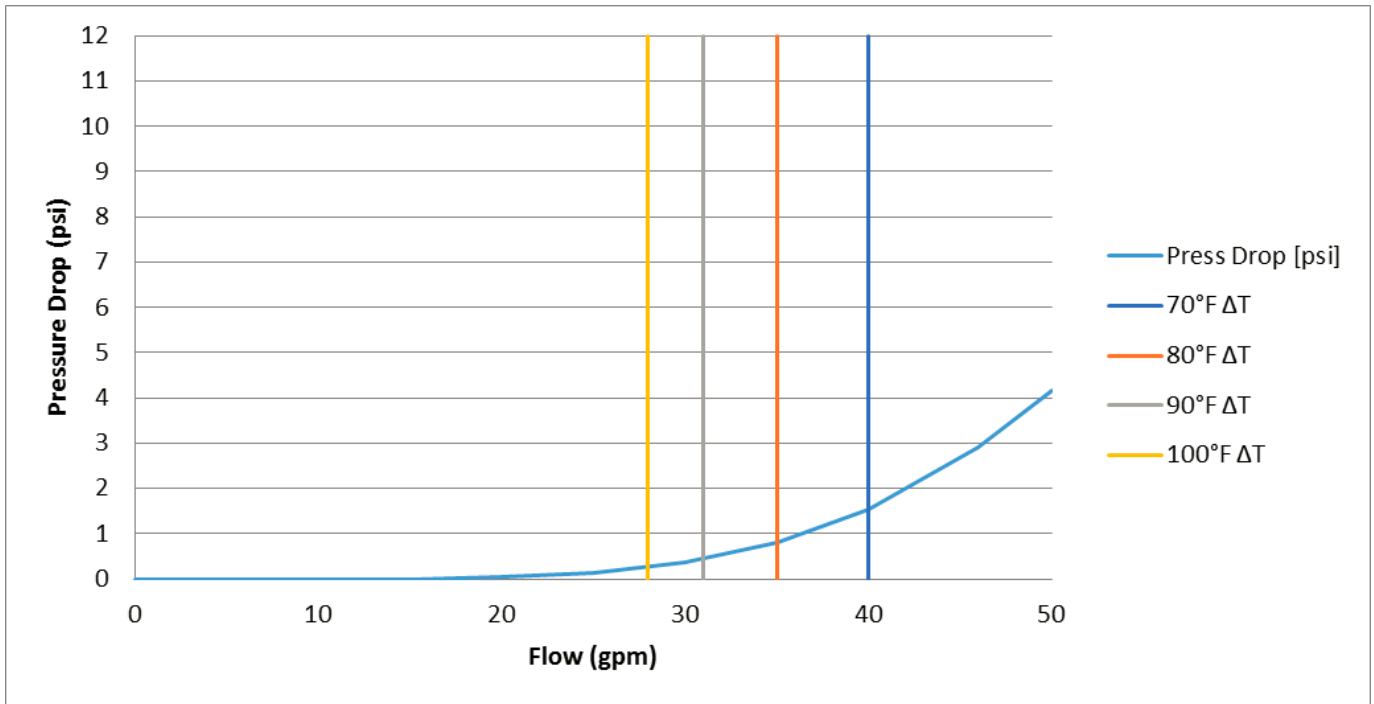


Performance

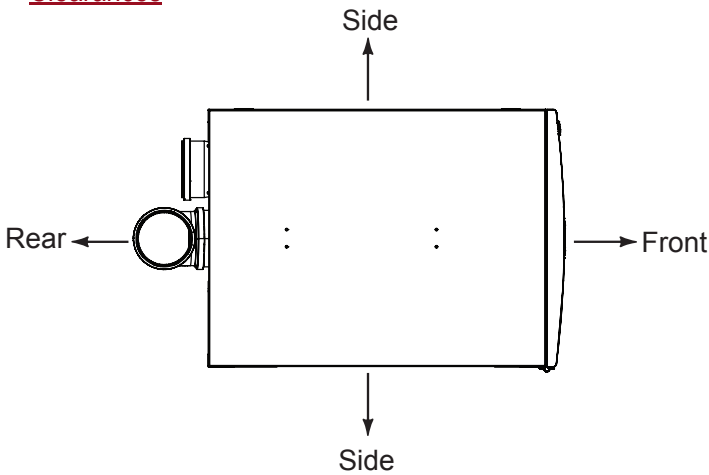
- Turndown Ratio of 50:1 per unit.
- Cascade up to 4 units with common venting for a total of over 6000MBH and a 200:1 total turndown ratio

	Temperature Rise (ΔT) °F						
	40	50	60	70	80	90	100
Flow (GPM)	69.3	55.5	46.2	39.6	34.7	30.8	27.7

Pressure Drop



Clearances



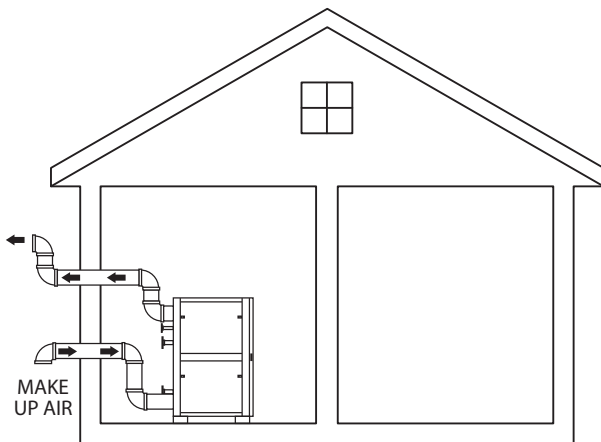
Required Mounting Clearances			
Location	From Combustibles	From Non-Combustibles	Service Clearance ¹
Top	6" (15.2cm)	20" (50.8cm)	18" (46cm)
Back	5/8" (15.8mm)	5/8" (15.8mm)	24" (61mm)
Sides	1" (25.4mm)	1/2" (12.7mm)	24" (61mm)
Front	2" (5.1cm)	2" (5.1cm)	32" (81cm)
Bottom	0" (0mm)	0" (0mm)	0" (0mm)

¹ Service clearances are suggested to allow for normal service

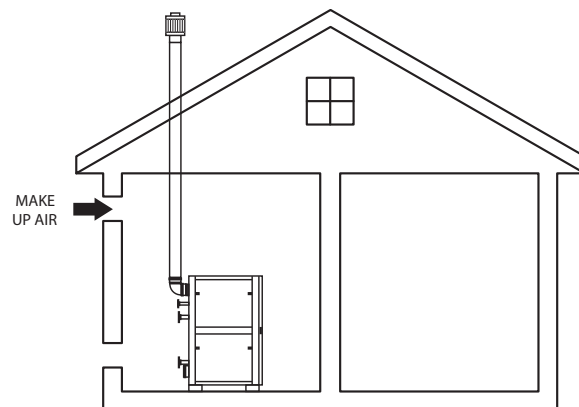
Venting

Maximum Vent Length (ft.)					
Number of units vented together	Venting Type	Duct Size			
		6"	8"	10"	12"
1	1 pipe - PV	65	270	-	-
	2 pipe - DV	35	135	-	-
2	1 pipe - PV	-	70	220	-
	2 pipe - DV	-	35	110	-
3	1 pipe - PV	-	-	110	250
	2 pipe - DV	-	-	55	125
4	1 pipe - PV	-	-	60	150
	2 pipe - DV	-	-	35	75

Note: Reduce the maximum equivalent length above by 5 feet per 90° elbow and by 2 feet per 45° elbow used. Do not exceed the above set limits. PV = Power vent, DV = direct vent



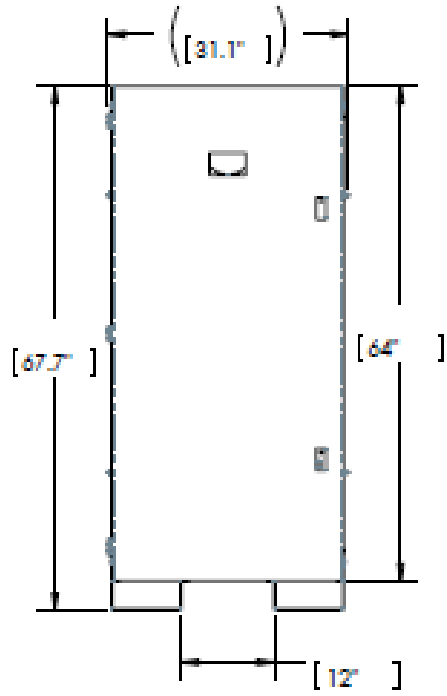
Ex: 2-Pipe Direct Vent



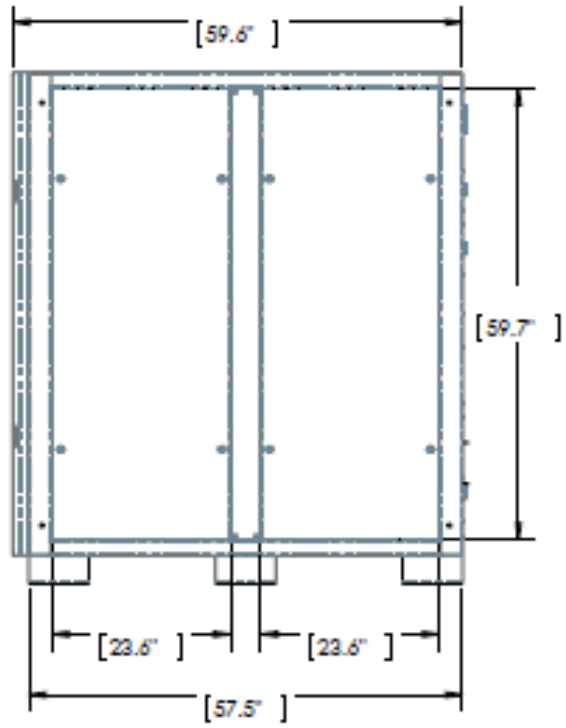
Ex: 1-Pipe Power Vent

Electrical Data

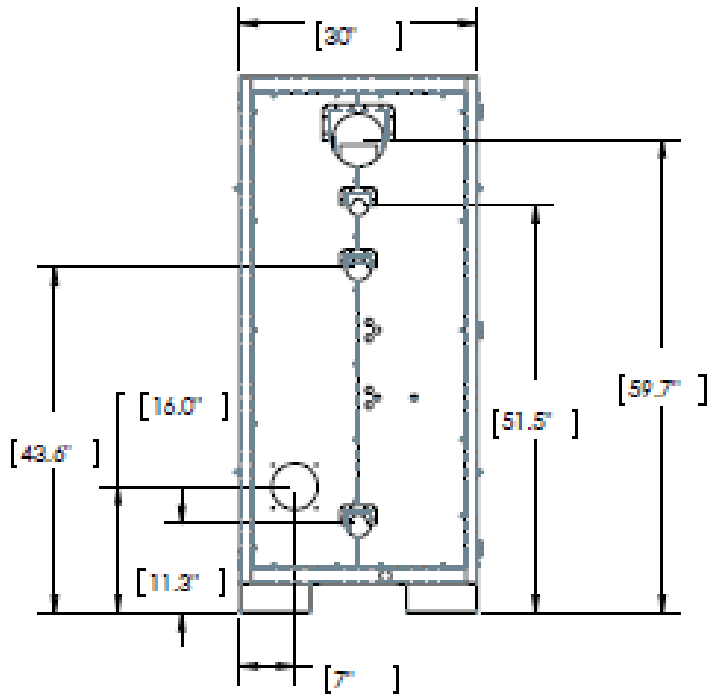
Electrical power required for the water heater is 120V AC, 60 Hz. The circuit breaker shall be a minimum of 30 amps for a single heater. Larger breakers can be used for multiple units. Please ensure correct polarity of wiring before powering up unit.



Front View



Side View



Rear View



Front View

Note: Due to Intellihot's policy of continuous product improvements, design and technical specifications are subject to change without notice. 2/18/16

PARAMETERS	iQ1501
Type	Indoor/Outdoor, Floor Mounted, On demand hot water heater
Fuel	Preset for NG / LP convertible without additional parts
Minimum Input (Btu/h)	30,000
Maximum Input (Btu/h)	1,501,000
Maximum Output (Btu/h)	1,380,920
Thermal Efficiency	92%
Turn Down Ratio (TDR)	50:1
Water Inlet / Outlet Connections	2" Headers with 6" OD Flange
Gas Inlet Connection	1-1/4" Header with 4-5/8" OD Flange
Dimensions H X W X D (inches)	64 X 30 X 59.6 (66 cu. ft)
Weight (lbs)	680
Venting Type	Direct Vent (2 pipe - intake & exhaust), Power vent (1 pipe - exhaust only)
Venting Materials (USA)	Sch. 40 PVC, Sch. 40 CPVC, Polypropylene, Stainless Steel
Vent Size (Diameter)	6" Ø
Max 6" Vent Length - Single Pipe / Power Vent	110 ft
Max 6" Vent Length - Two pipe / Direct Vent	55 ft
Ignition	Electronic Spark Ignition
Temperature Range	100°F - 190°F
Temperature Stability	+/- 4°F
Water Pressure Min / Max (PSIG)	30 / 160
Gas Pressure for Adjustments	8" for NG, 11" for LP
Electrical	120V AC, 60 Hz
Hot Water Capacity, 70F Rise	39.6 GPM
WARRANTY	Exchanger Coil - 10 years, All Other Parts - 2 year